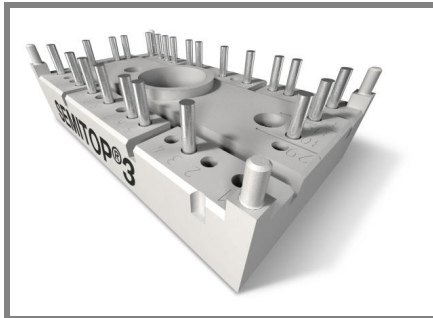


SK20GD066ET



SEMITOP® 3

IGBT Module

SK20GD066ET

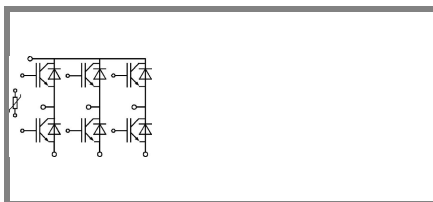
Target Data

Features

- " " / f i f i l t ž ž "
- # " t ž f i \$ % ~ , & " f ž !
- ' ' / f i f i \$ " ž (! \$ / " t ž ž , y f ž "
- f f \$ & ! * t ž ž f i f i f i , i i t \$ + , " t t t
- /) & ž ž ž , , ž t f i t \$ ~ ž f i - . " / 0
- 1 \$ " f i * 2 3 / 1 f i f i * " ,) ! 4
- " 5 6 f i f i * " ,) ! 4 7 8 .
- 2 f i ! \$ f i t t 9 1 " f i ~ i t \$ f i \$
- ž t " ž , \$

Typical Applications*

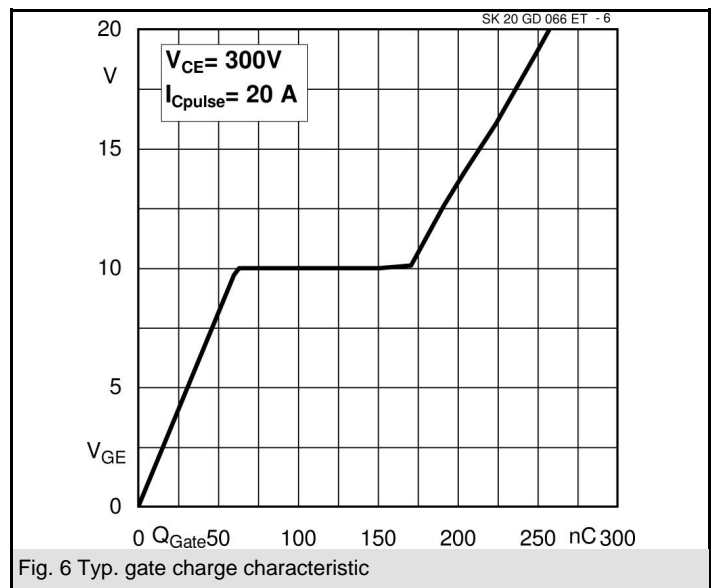
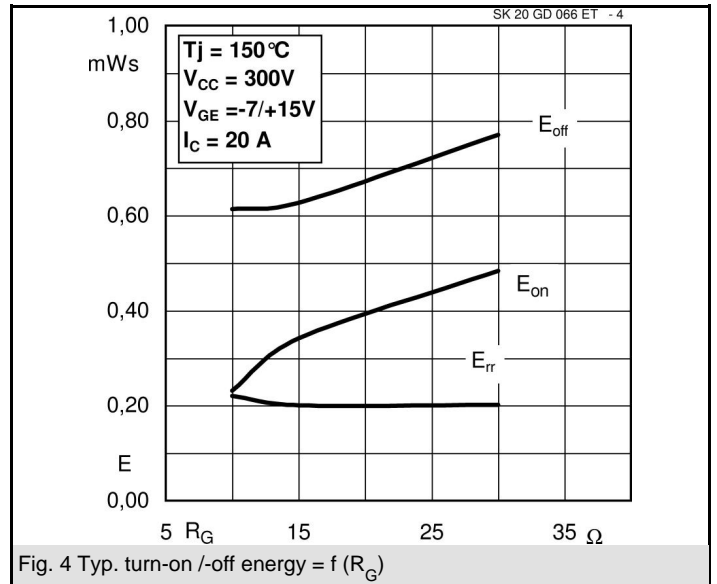
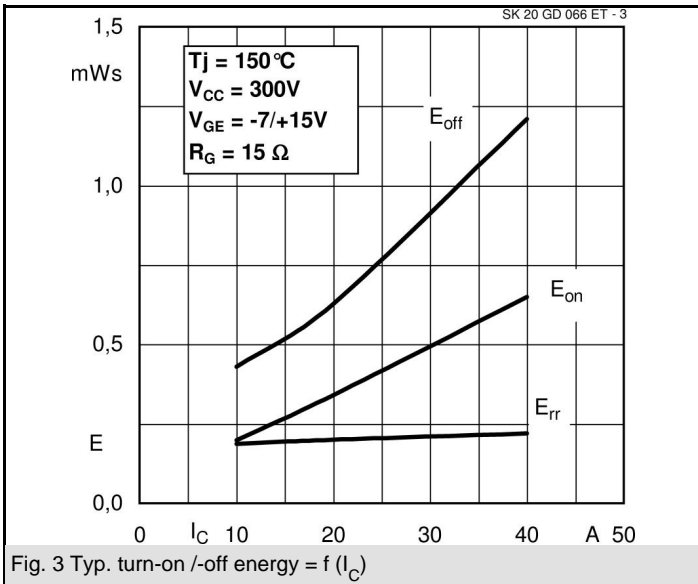
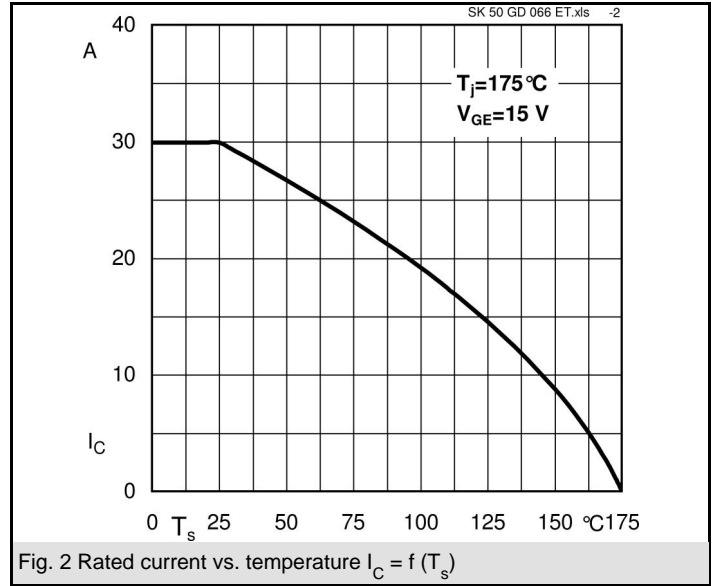
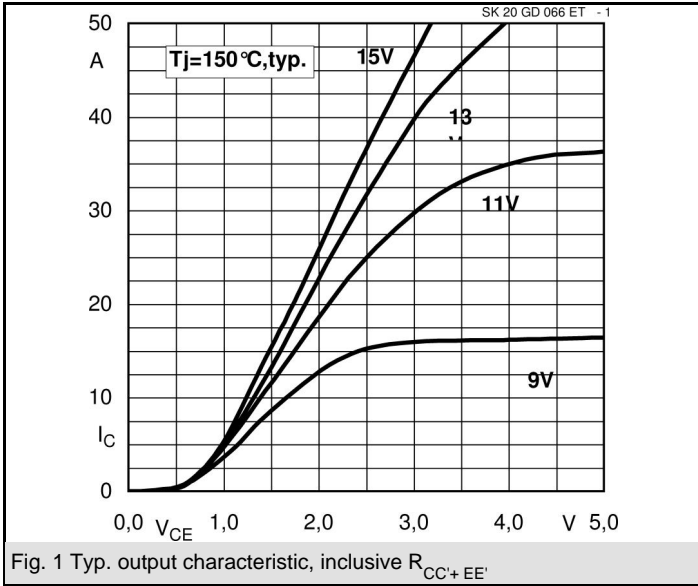
- 2 : t f i f i \$ & i f i ; < = > ? 5
- 1 4 i @ , f i \$ i , % t \$ A > 8

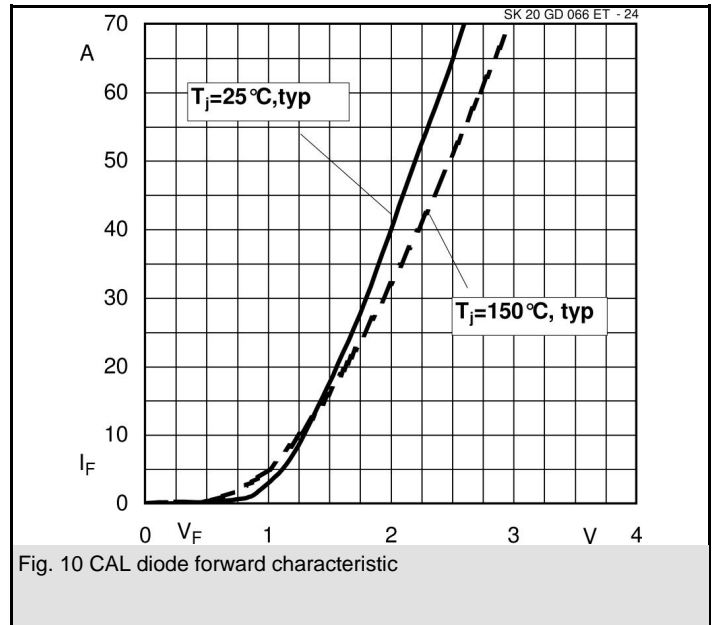
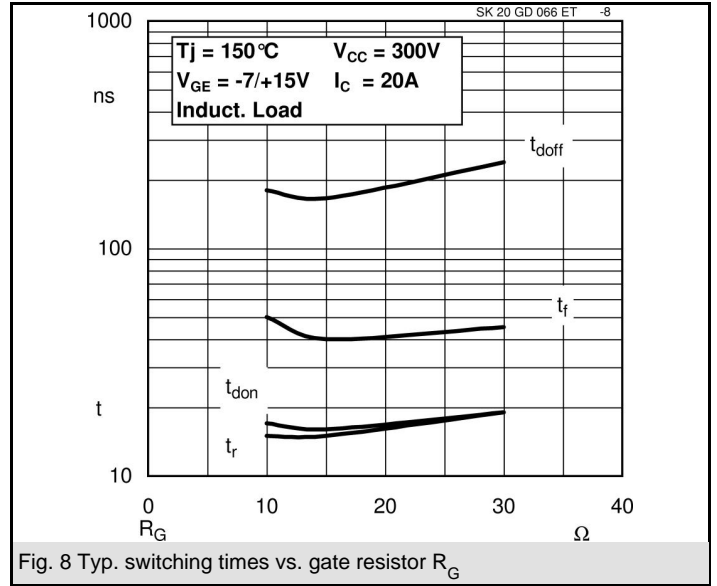
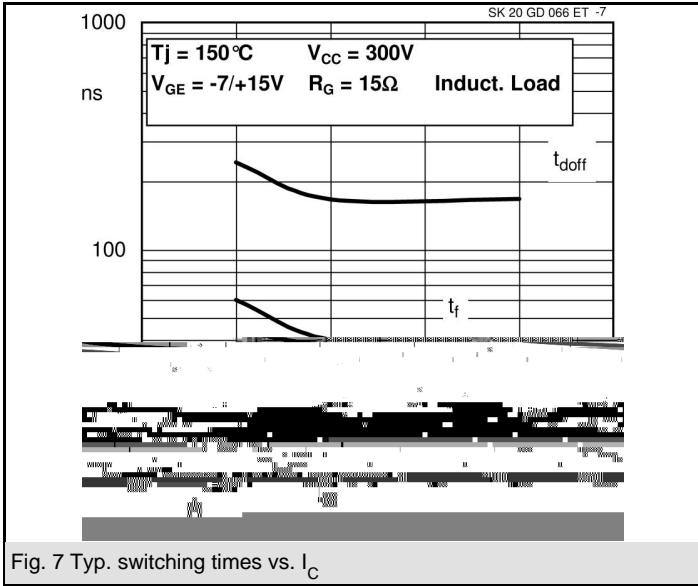


GD-ET

Absolute Maximum Ratings		1 2 B C D E" <&") ž ž , f f t \$ % ž t ž t t f i ž t t		
Symbol	Conditions	Values		Units
IGBT				
? - FG	1 H B C D E"	: J J		?
2	1 H B K L D E"	1 2 B C D E"	= J	5
		1 2 B L J E"	CD	5
2 MN	2 MN B C , 2 . .	AJ		5
? 3 FG		O C J		?
f i ž f i	? . . B = J ? P ? 3 F Q C J ? P 1 H B K D J E"	:		S Ž
	? - F G R : J J ?			
Inverse Diode				
2	1 H B K L D E"	1 2 B C D E"	= K	5
		1 2 B L J E"	CA	5
2 MN	2 MN B C , 2 . .	AJ		5
2 GN	f i B K J ~ ž P * /) (ž ž t % / : t 1 H B K D J E"	TD		5
Module				
2 MN GO				5
1 : H		U A J @ @ / K L D		E"
1 ž f i		U A J @ @ / K C D		E"
? ž .)	5" < K ~ ž @	C D J J		?

Characteristics		1 2 B C D E" <&") ž ž , f f t \$ % ž t ž t t f i ž t t			
Symbol	Conditions	min.	typ.	max.	Units
IGBT					
? 3 F - f i 0	? 3 F B ? - F < 2 B J < T ~ 5	D	D > W	: - D	?
2 FG	? 3 F B J ? < ? - F B ? - F G	1 H B C D E"		J - J K K	~ 5
		1 H B K C D E"			~ 5
2 3 FG	? - F B J ? < ? 3 F B C J ?	1 H B C D E"		= J J	* 5
		1 H B K C D E"			* 5
? - F J		1 H B C D E"	J - T	K - K	?
		1 H B K D J E"	J > W	K	?
\$ F	? 3 F B K D ?	1 H B C D E"	CL - D	= L - D	~ X
		1 H B K D J E"	AC - D	DC - D	~ X
? - F - 2 / f i 0	2 . . - B C J 5 < ? 3 F B K D ?	1 H B C D E" f i * 2) : @	K < A D	K > V D	?
		1 H B K C D E" f i * 2) : @	K < D	C < J D	?
~ ž 2			K - K		" 7
~ i 2	? - F B C D < ? 3 F B J ?	(B K N ' Y	J < J L K		" 7
~ \$ 2			J < J = C		" 7
Z 3	? 3 F B U ? @ @ / K D ?		CCD		- -
f i . . * 0			K :		" ž
f i \$	M 3 . - B K D X	? . . B = J J ?	K D		" ž
F .	t ž t f i B = J J 5 [S Ž	2 B C J 5	J < A		~ \
f i . . ((0	M 3 . ((B K D X	1 H B K D J E"	K :		" ž
f i \	t ž t f i B = J J 5 [S Ž	? 3 F B O K D ?	A J		" ž
F . ((J < =		~ \
M f i - H 2 0	i t \$ 2 3 / 1		K < D] [8

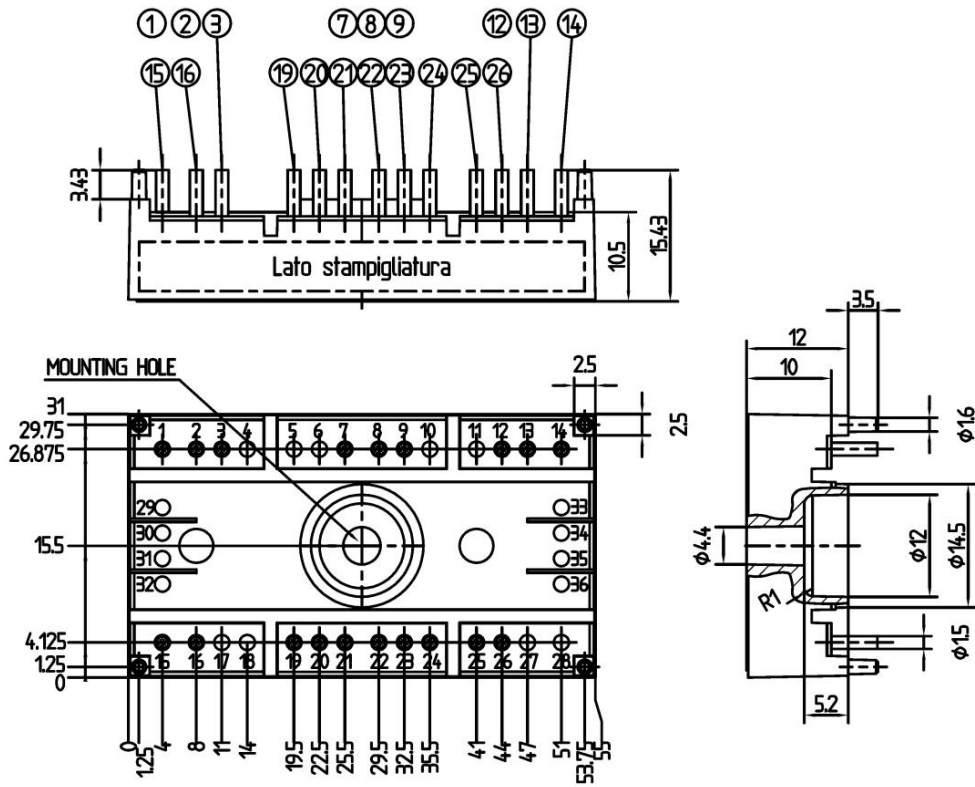




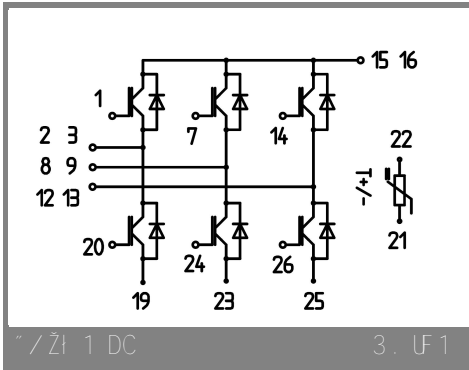
SK20GD066ET

UL recognized

file no. E63 532



/Zi 1DC-G&11ZAE) E3* IAEZ ffL _' /<.(SZ.)E! \$!Z Z/" E! Y Zffl ~ ,&" ffL ! Z Z' C' ~ 0



*/Zi 1DC

3. UF1